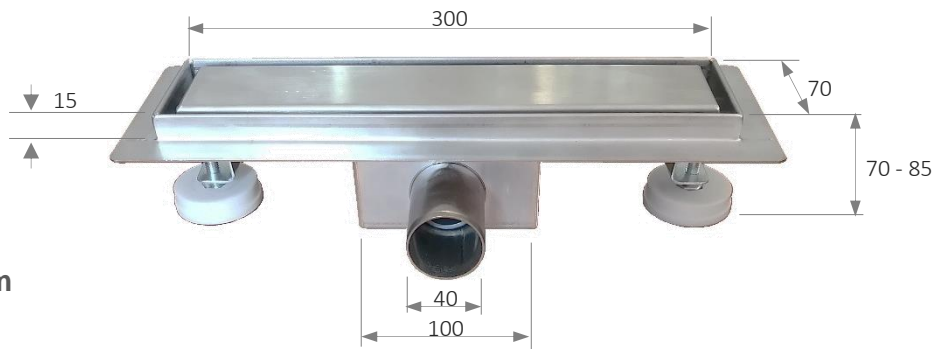
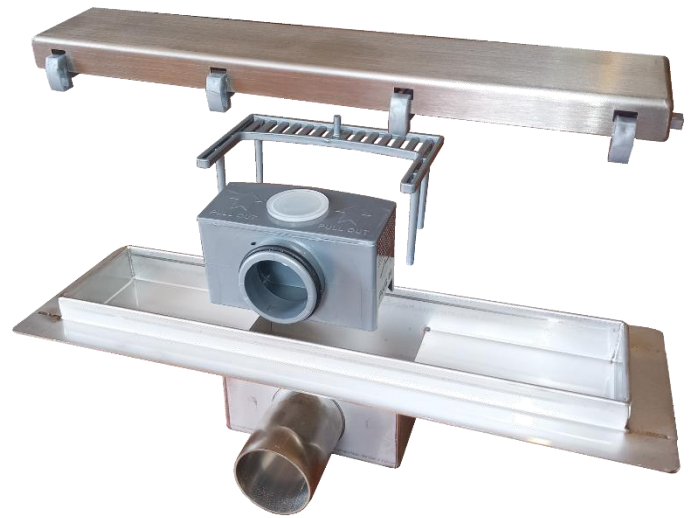


OUR EXPERTISE
IN YOUR HANDS

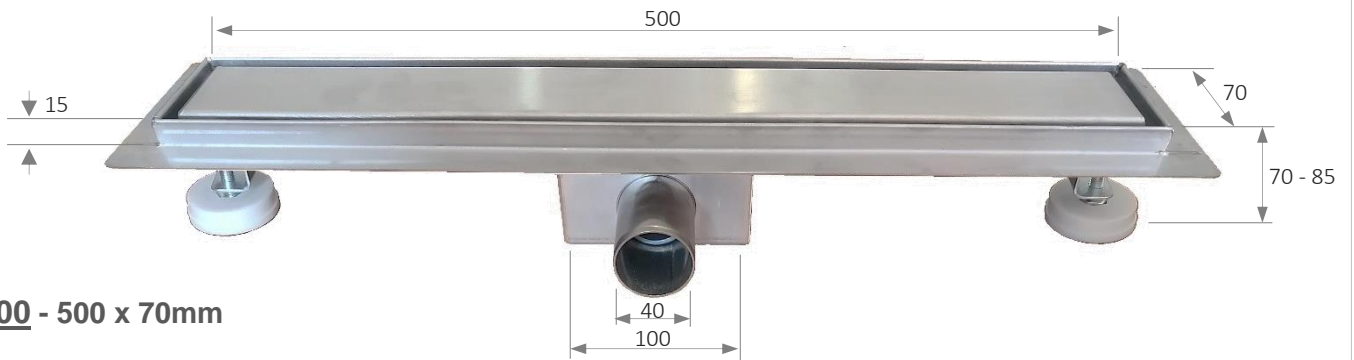


SHOWER CHANNEL

Reversible Face



BVSC300 - 300 x 70mm



BVSC500 - 500 x 70mm



Sunridge Importers and Wholesalers (Pty) Ltd
Tel: +27 (0)861 344 434 • www.sunridgeafrica.com

Pictures Are For Illustration Purposes Only, Product May Vary. | SUNRIDGE Specials Are Valid While Stocks Last |
Prices are Exclusive of Vat. E & O.e. | Offers valid from 1st August 2020 - 30 August 2020



OUR EXPERTISE
IN YOUR HANDS



TECHNICAL SPECIFICATIONS

PRODUCT CODE

BVSC300 / _BVSC500

PRODUCT DESCRIPTION

BREVIK – SHOWER CHANNEL (REVERSIBLE FACE)

APPLICATION

Showers and other moderate draining areas

DIMENSIONS

Refer to front page dimensions

HEIGHT TOLERANCE

70mm - 85mm (Feet to Face Surface)

APPEARANCE

Grey PVC adaptor; Stainless Steel Body, Grey Internal Trap

MATERIAL

FACE - 304 Stainless Steel

BODY - 304 Stainless Steel

ADAPTOR - PVC

O RING SEALS - EPDM

INTERNAL TRAP - Polypropylene

DISCHARCH CONNECTION METHOD

PVC PIPE (PVC Adaptor - Glue)

HDPE PIPE (Ringseal Socket)

PP PIPE (Pushfit Socket)

DISCHARGE SIZE

40mm

FLOWRATE

35L p/min

MAINTENANCE

Full internal access with removable components

GUARENTEE / WARRANTY

15 Year Warranty



Sunridge Importers and Wholesalers (Pty) Ltd
Tel: +27 (0)861 344 434 • www.sunridgeafrica.com

Pictures Are For Illustration Purposes Only, Product May Vary. | SUNRIDGE Specials Are Valid While Stocks Last |
Prices are Exclusive of Vat. E & O.e. | Offers valid from 1st August 2020 - 30 August 2020



SUNRIDGE
Importers and Wholesalers (Pty) Ltd